



Wherever glass is made.



## TMF thickness measurement at the hot end

The TMF system allows **exact, pinpoint on-line checking** of the thickness of float glass immediately after it has been shaped (in the hot phase), making it easier to change product lines. TMF is designed and manufactured in line with special customer requirements and is delivered as a complete, ready-to-use system. Installation, commissioning and training are performed exclusively by our experienced engineers.

### Analysis:

- Thickness of the glass ribbon in longitudinal and lateral directions
- Statistical analysis and trend plotting
- color-coded display
- Width of the glass ribbon and its position on the rollers
- Shift and production reports



### Benefits:

- Operational **turn-key system**
- Patented, long-life sensor head and high-quality construction
- Connection to your plant information network
- Network solution with various operator workstations
- Optional service and/or maintenance agreement
- Remote diagnosis



VMA Gesellschaft für visuelle Messtechnik und Automatisierung mbH

OT Wümbach, Gräfinauer Straße 2, 98704 Wolfsberg, Germany  
Telefon: +49 36 785 58 70, Telefax: +49 36 785 51225  
info@vma-online.de, www.vma-online.de

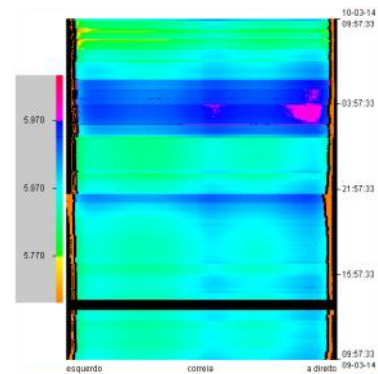




## Specification

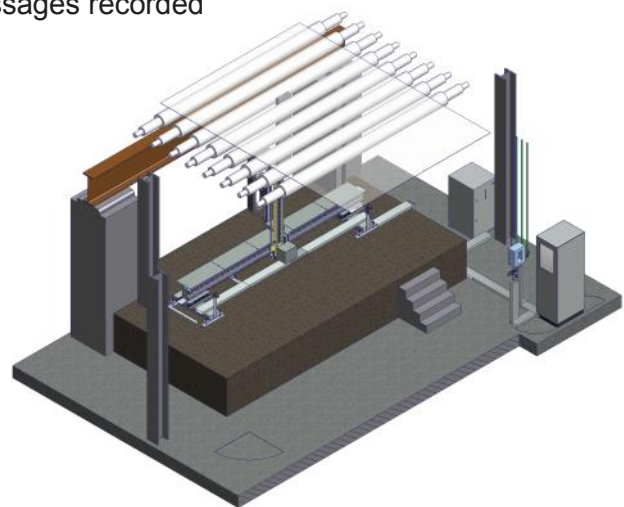
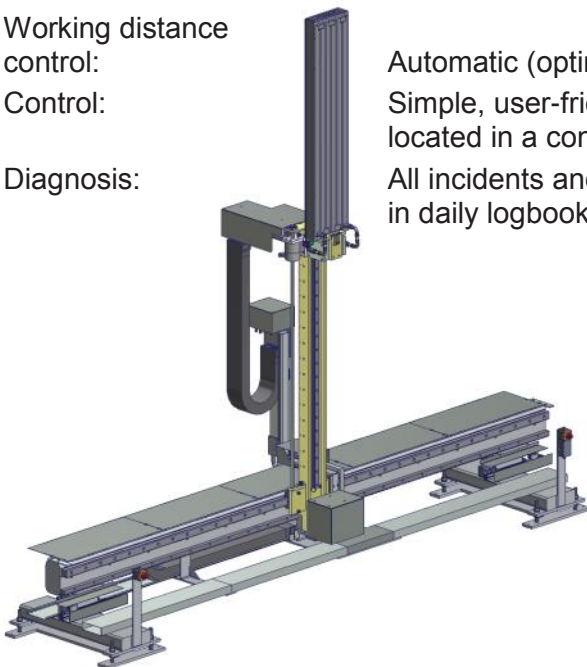
### TMF

Measuring range:	1.5 - 25 mm*
Measurement accuracy:	0.003 mm
Resolution:	0.001 mm
Transmission:	> 8%
Presentation:	250 measurement values in transverse profile



### System

Installation:	Below the glass ribbon at the start of the lehr
Cooling:	Water-cooled sensor head and protection box
Cleaning:	Nitrogen purge for cleaning the safety screen
Calibration:	Once ex works, no recalibration needed
Working distance control:	Automatic (optimum working distance)
Control:	Simple, user-friendly from operator workstation, located in a control room
Diagnosis:	All incidents and messages recorded in daily logbook



\* Specify before placing order

VMA Gesellschaft für visuelle Messtechnik und Automatisierung mbH

OT Wümbach, Gräfinauer Straße 2, 98704 Wolfsberg, Germany  
 Telefon: +49 36 785 58 70, Telefax: +49 36 785 51225  
 info@vma-online.de, www.vma-online.de

